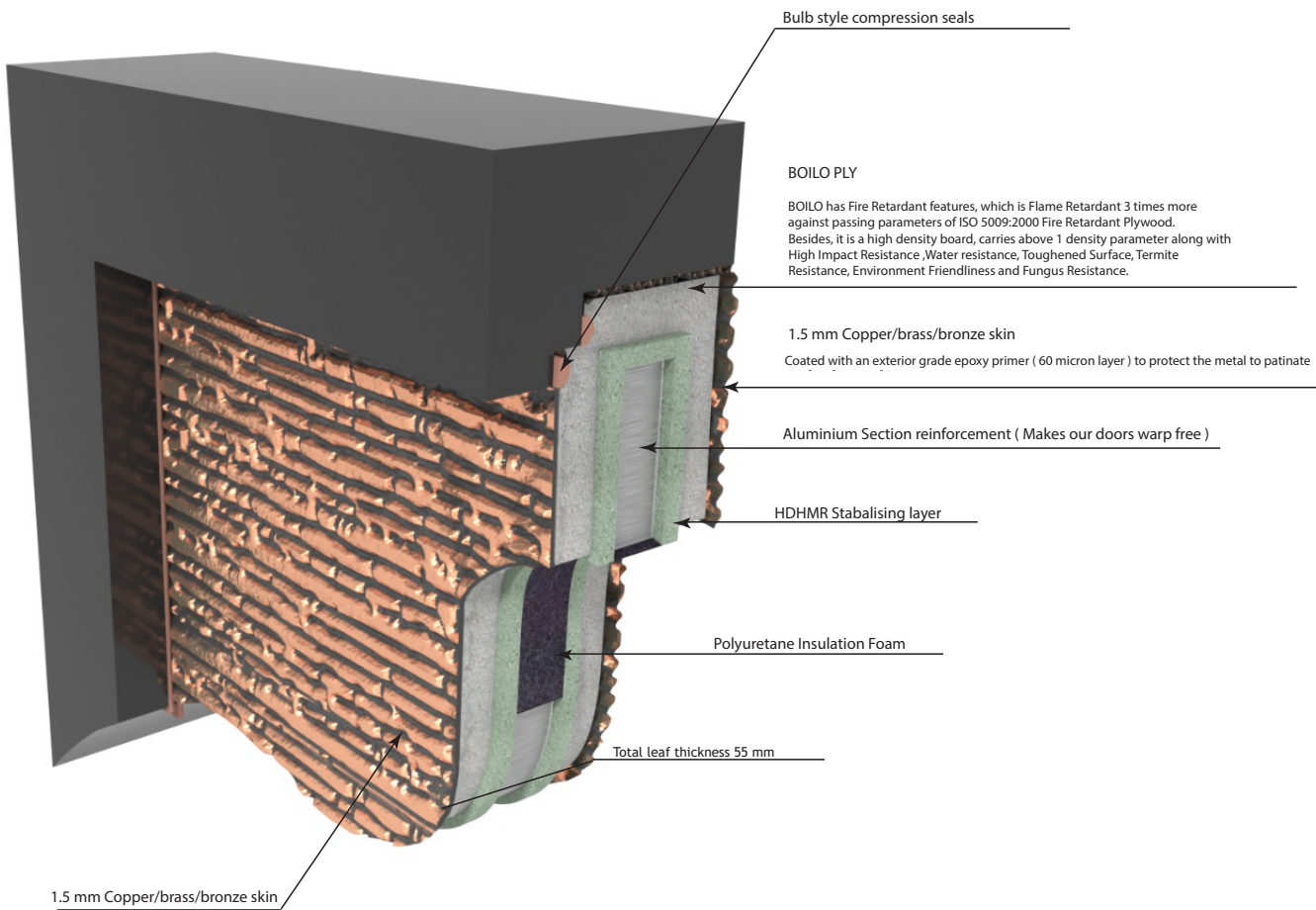
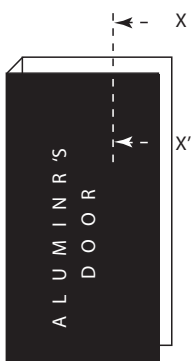


DOOR STRUCTURE

a55 door section



CROSS SECTION LAYOUT
XX'



Exterior cover layer 1.5 mm of metal skin

The outer layer is a skin with the material intent Copper, brass or bronze. The skin is further coated with an exterior grade epoxy primer and lets the actual finish of the metal intact and prevents it from further oxidation. However the exterior grade epoxy primer has a tarnish rate too and depends on the external environmental conditions.

12 mm of Boilo plywood stabilizing layer

The other material Boilo, which is a type of plywood, has Fire Retardant features, which is Flame Retardant 3 times more against passing parameters of ISO 5009:2000 Fire Retardant Plywood. Besides, it is a high density board, carries above 1 density parameter along with High Impact Resistance, Water resistance, Toughened surface, Termite Resistance, Environment Friendliness and Fungus Resistance

– Aluminium Section Reinforcement - 100 mm x 25 mm ; 5

Aluminium section, full heighted, are structured letting our doors to be stable and warp free.

Calculated door leaf insulation of 1.112W/m2K

Our doors are insulated with closed cell polyurethane foam insulation making them highly thermally insulated and suitable for extreme -ve temperature conditions. Withstand temperature +70c to -30c

Door slab weighs 6.8 - 7 kgs per sq. ft.

Contingent to both side metal work. Door handle weight should be considered additional.

Interior cover layer 1.5 mm of metal skin (Copper/brass/bronze)

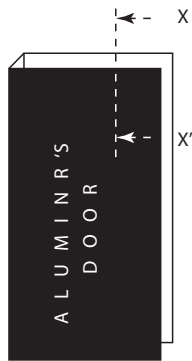
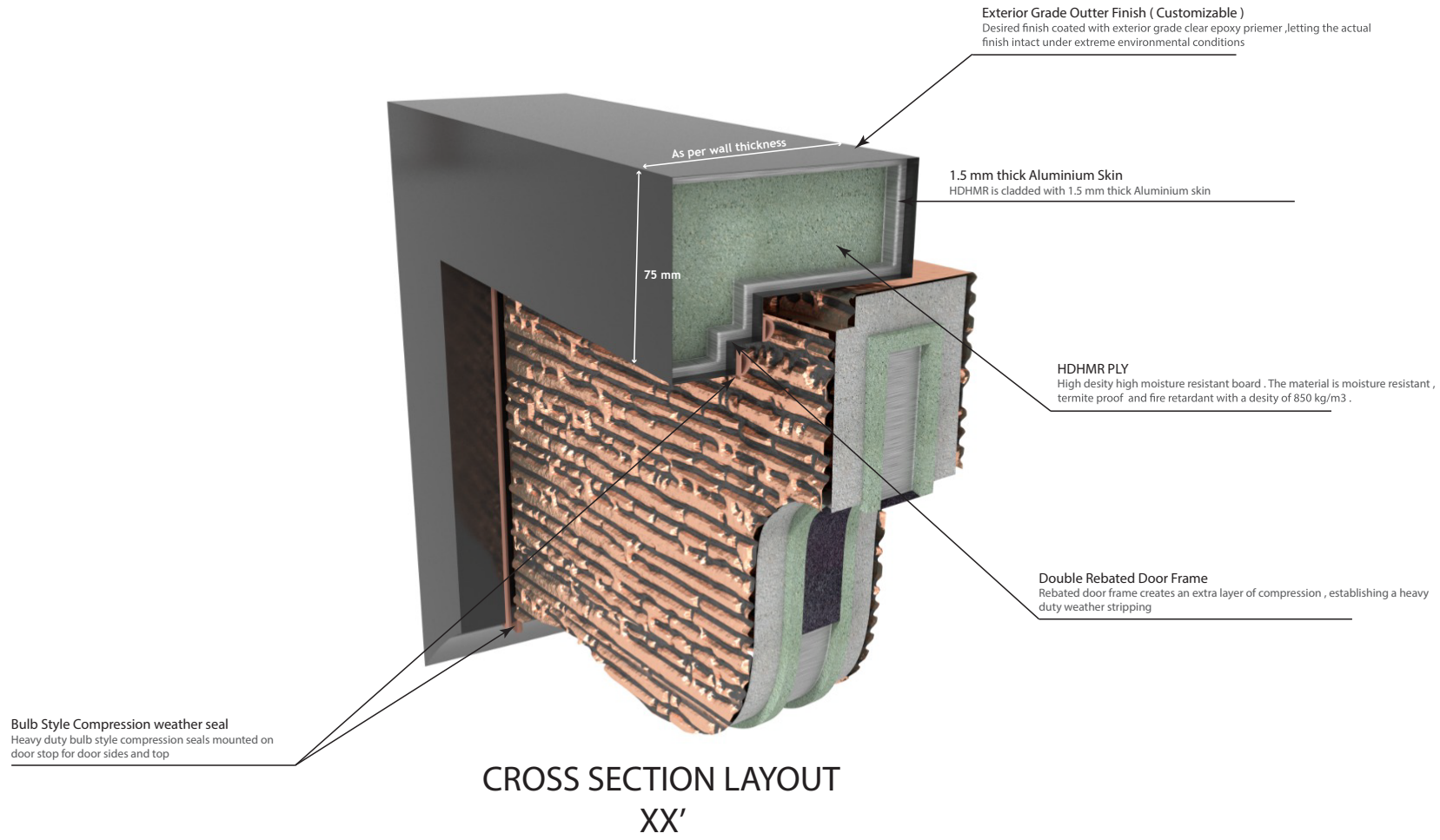
Compression weatherseals withstand temperature -30 degree celcius to +70 degree celcius

Used for acoustic, thermal and weather containment

Overall door thickness 55mm

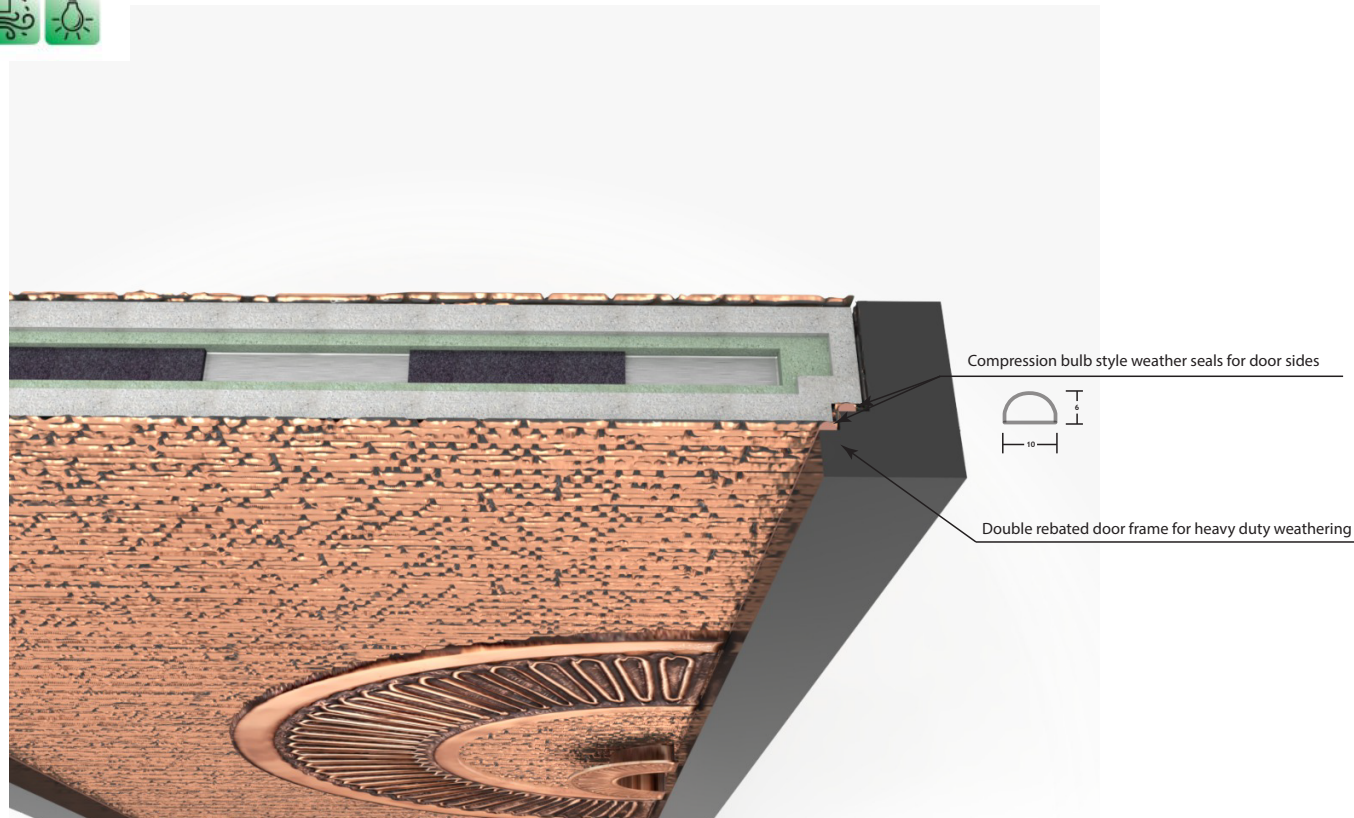
DOOR FRAME

a55 door frame section

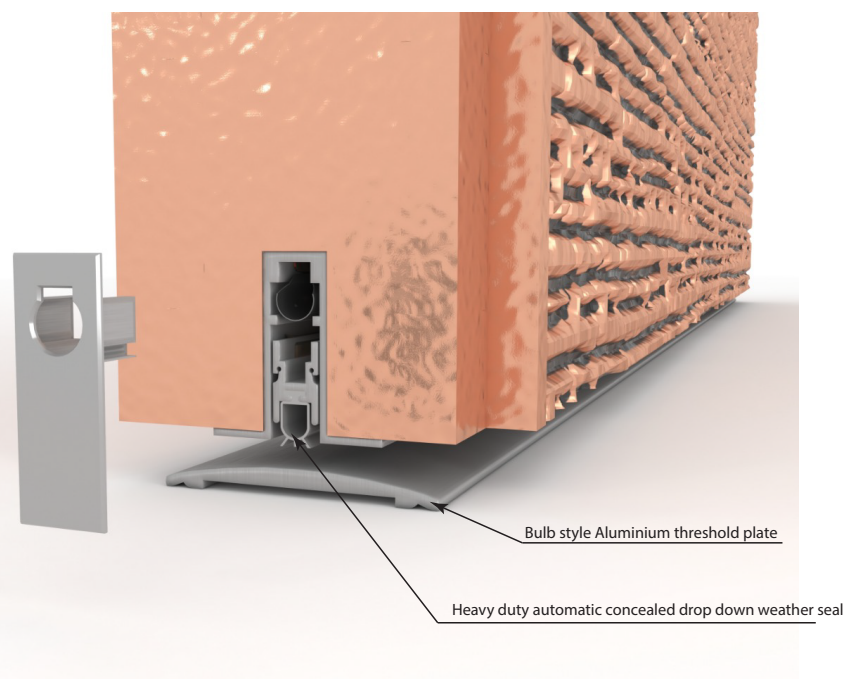


WEATHER SEALS

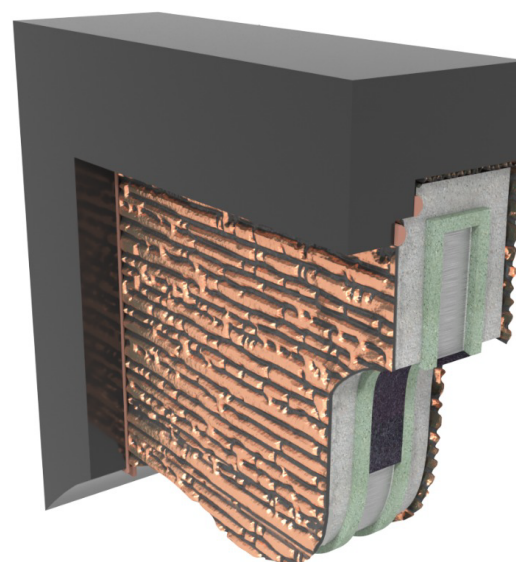
a55 door weather sealing



Door stop mounted bulb style compression seals for door sides



Automatic concealed drop down seal for door bottom



Door stop mounted bulb style compression seals for door top

Used for acoustic , thermal and weather containment

Weatherseals withstand temperature -30 degree celcius to +70 degree celcius

Rebated door frame creates an extra layer of compression , establishing a heavy duty weather stripping

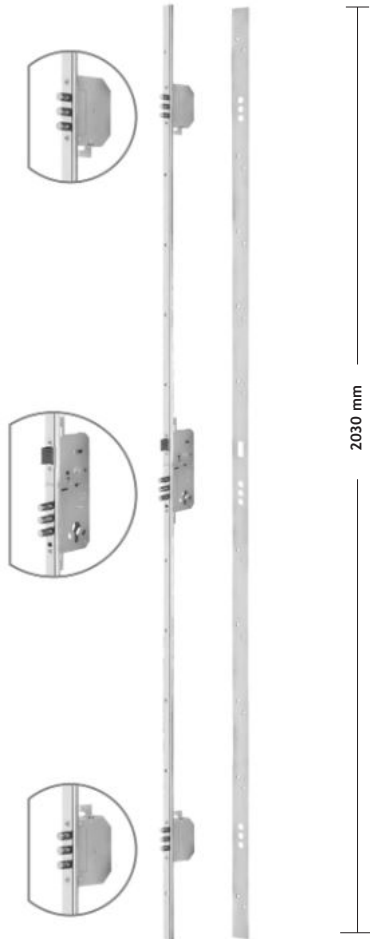
For additional protection against smoke and upgrading existing fire resistance , special weather stripping can be incorporated in our doors . (On request)

HARDWARE AND SECURITY

a55 door hardware



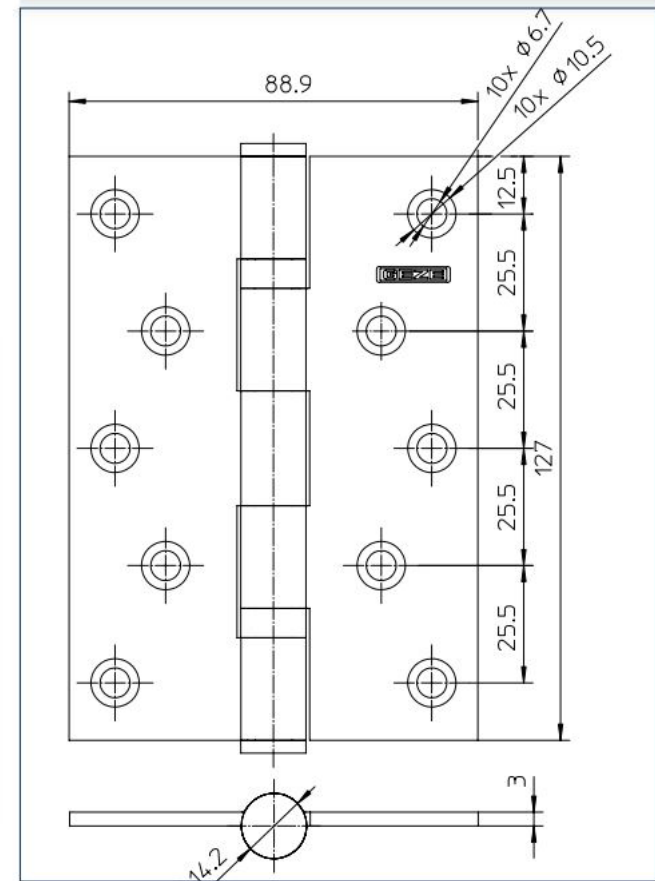
Multi Point Locking



Multi point High security Locking Mechanism incorporated with High security Cylinder

Case: Steel. Galvanized.
Forend and Striking Plate: Alkali. Zinc plated.
Deadbolt: Steel. Nickel plated. Nine bars.
Latch: Brass. Nickel plated.
Direction: Reversible.
Certifications: TS EN 12209.

Ball Bearing Butt Hinges



Heavy Duty Stainless Steel Butt Hinges

Brushed Stainless steel 304
5"x3,5"x3mm
Quantity Ball Bearing - 2
Maximum door weight - varies with quantity being used
Fire resistant
Certifications : EN 1935

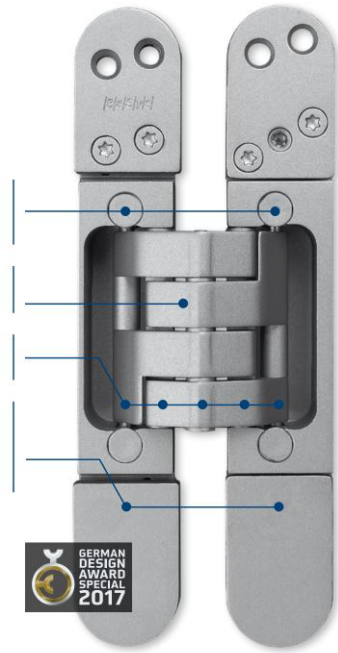
Technical Documentation - [here](#)

OPTIONALS

Concealed hinges and door closer



Concealed Hinges



3 dimensional adjustable Concealed Hinges

Gets Intergrated into the door and the frame
Maximum weight bearing capacity - 350 kg
Completely invisible when door closed
3 - dimensional adjustability
maintainence free bearings
solid steel joints for high stress
Stainless steel body
Fire rated

[Technical Documentation - here](#)

Concealed Door closer



Integrated door closer for single-leaf doors with a leaf width of up to 1400 mm.

Gets Intergrated into the door and the frame
Completely invisible when door closed
Minimum leaf thickness 50 mm
Maximum weight bearing capacity - 180 kgs
Adjustable closing force and speed
Damper Control (soft close and wall protection)
Hold positions at anywhere between 80° and 120°
Certifications : EN 1154
Fire rated

[Technical Documentation - here](#)